

**Technical Data**

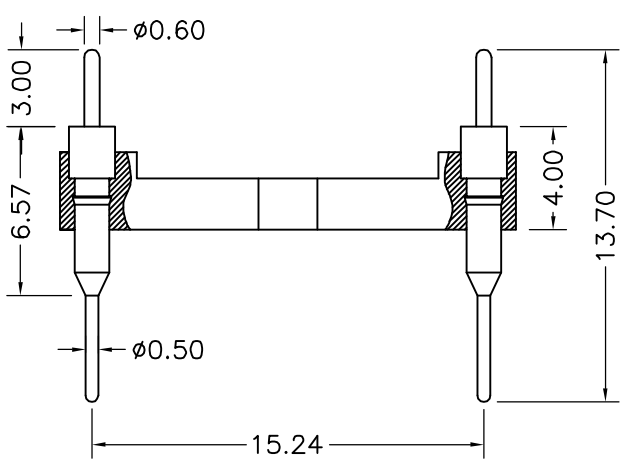
**Material:**  
 Pin(outer sleeve):Brass,machined CuZn38Pb2  
 Plating(outer sleeve):  
 Tin Plated:2μm/80μm"NI, 5μm/200μ"Sn  
 Gold Plated:2μm"/80μm"Ni, 0.8μ" gold  
 Insuiator:PPS UL94V-0

**Electrical:**

Current rating:3Amps/contact max.  
 Contact resistance:≤4mΩ/contact  
 Insuiation resistance:≥1000MΩ at V=100V  
 Dlelectric Withstanding Voltage:1000V AV Min  
 Operaling vottage:60VAC/DC

**Mechanical:**

Operaling temperature:-40° C to+105° C  
 Soldering temperature:+255° C



Serial number	No. of Positions	PART NO	A	B
17	24	QZTD5-I124XX1370A	30.48	27.94
18	28	QZTD5-I128XX1370A	35.56	33.02
19	32	QZTD5-I132XX1370A	40.64	38.1
20	36	QZTD5-I136XX1370A	45.72	43.18
21	40	QZTD5-I140XX1370A	50.8	48.26
22	42	QZTD5-I142XX1370A	53.34	50.8
23	48	QZTD5-I148XX1370A	60.96	58.42
24	50	QZTD5-I150XX1370A	63.5	60.96
25	52	QZTD5-I152XX1370A	66.04	63.5

**Qztconn**  
 启之泰

QZT	X	X	—	X	XX	XX	XXXX	X
Pitch(mm) A=1.27 B=1.778 C=2.00 D=2.54	Dip spcing 0= No 1=1.27mm 2=2.54mm 3=7.62mm 4=10.16mm 5=15.24mm	Angel Options D=180° R=90° S=SMT I1=IC-180度 I2=IC-90度 I3=IC-SMT	No. of Positions XX positions	Pin plated T1=Tin 150u" T2=Tin 200u" G1=G/F G2=Gold 3u" G3=Gold 10u" G4=Gold 15u" G5=Gold 30u"	Pin Length Options 1370=13.70mm	Specifications A=Public seat B=Female seat		