

Technical Data

Material:

Pin(outer sleeve): Brass, machined CuZn38Pb2

Plating(outer sleeve):

Tin Plated: $2\mu\text{m}/80\mu\text{m}^{\text{Ni}}$, $5\mu\text{m}/200\mu\text{m}^{\text{Sn}}$

Gold Plated: $2\mu\text{m}^{\text{Ni}}$, $0.8\mu\text{m}^{\text{gold}}$

Insulator: PPS UL94V-0

Electrical:

Current rating: 3Amps/contact max.

Contact resistance: $\leq 4\text{m}\Omega$ /contact

Insulation resistance: $\geq 1000\text{M}\Omega$ at $V=100\text{V}$

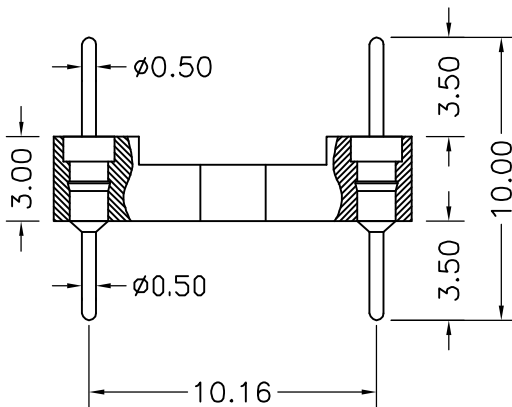
Dielectric Withstanding Voltage: 1000V AV Min

Operating voltage: 60VAC/DC

Mechanical:

Operating temperature: -40°C to $+105^{\circ}\text{C}$

Soldering temperature: $+255^{\circ}\text{C}$



Serial number	No. of Positions	PART NO	A	B
12	20	QZTD4-I120XX1000A	25.4	22.86
13	22	QZTD4-I122XX1000A	27.94	25.4
14	24	QZTD4-I124XX1000A	30.48	27.94
15	28	QZTD4-I128XX1000A	35.56	33.02
16	32	QZTD4-I132XX1000A	40.64	38.1

qztconn

启之泰

QZT	X	X	X	XX	XX	XXXX	X
Pitch (mm) A=1.27 B=1.778 C=2.00 D=2.54	Dip spcing 0= No 1=1.27mm 2=2.54mm 3=7.62mm 4=10.16mm 5=15.24mm	Angel Options D=180° R=90° S=SMT I1=IC-180度 I2=IC-90度 I3=IC-SMT	No. of Positions XX positions	Pin plated T1=Tin 150u" T2=Tin 200u" G1=G/F G2=Gold 3u" G3=Gold 10u" G4=Gold 15u" G5=Gold 30u"	Pin Length Options 1000=10.00mm	Specifications A=Public seat B=Female seat	