

Technical Data

Material:

Pin(outer sleeve):Brass,machined CuZn38Pb2

Plating(outer sleeve):

Tin Plated:2 μ m/80 μ m"NI, 5 μ m/200 μ "Sn

Gold Plated:2 μ m"/80 μ m"Ni, 0.8 μ " gold

Insuiator:PPS UL94V-0

Electrical:

Current rating:3Amps/contact max.

Contact resistance: $\leq 4m\Omega$ /contact

Insuiation resistance: $\geq 1000M\Omega$ at V=100V

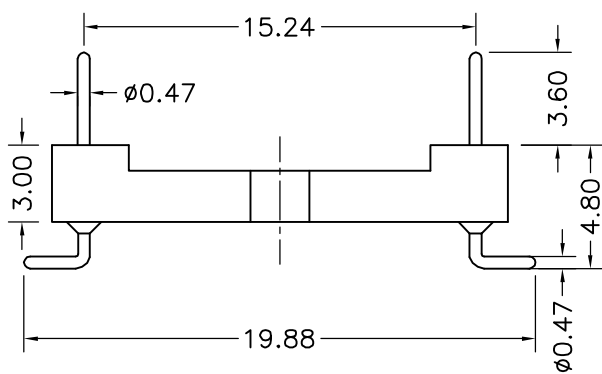
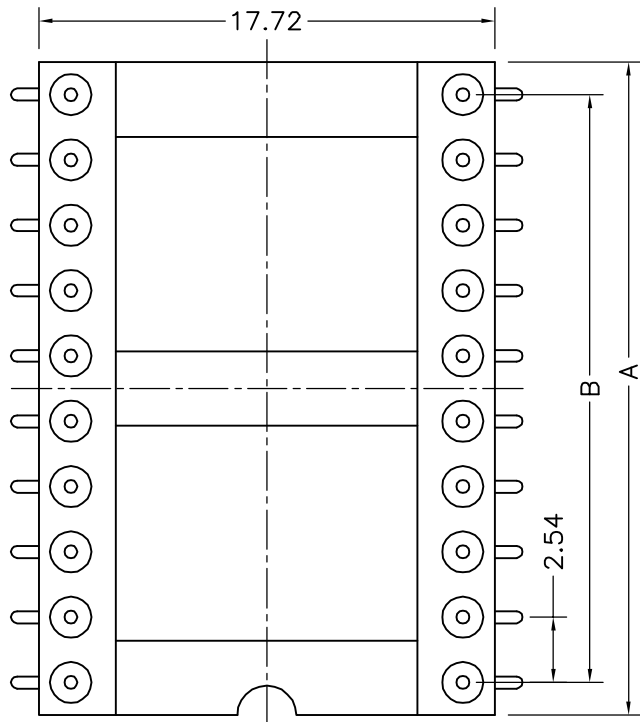
Dlelectric Withstanding Voltage:1000V AV Min

Operaling vottage:60VAC/DC

Mechanical:

Operaling temperature:-40 $^{\circ}$ C to+105 $^{\circ}$ C

Soldering temperature:+255 $^{\circ}$ C



Serial number	No. of Positions	PART NO	A	B
17	24	QZTD5-I324XX1000A	30.48	27.94
18	28	QZTD5-I328XX1000A	35.56	33.02
19	32	QZTD5-I332XX1000A	40.64	38.1
20	36	QZTD5-I336XX1000A	45.72	43.18
21	40	QZTD5-I340XX1000A	50.8	48.26
22	42	QZTD5-I342XX1000A	53.34	50.8
23	48	QZTD5-I348XX1000A	60.96	58.42
24	50	QZTD5-I350XX1000A	63.5	60.96
25	52	QZTD5-I352XX1000A	66.04	63.5

qztconn
启之泰

QZT	X	X	—	X	XX	XX	XXXX	X
Pitch(mm) A=1.27 B=1.778 C=2.00 D=2.54	Dip spcing 0= No 1=1.27mm 2=2.54mm 3=7.62mm 4=10.16mm 5=15.24mm	Angel Options D=180 $^{\circ}$ R=90 $^{\circ}$ S=SMT I1=IC-180度 I2=IC-90度 I3=IC-SMT	No. of Positions XX positions	Pin plated T1=Tin 150u" T2=Tin 200u" G1=G/F G2=Gold 3u" G3=Gold 10u" G4=Gold 15u" G5=Gold 30u"	Pin Length Options 1000=10.00mm	Specifications A=Public seat B=Female seat		