

REVISION DATA		
REV	DESCRIPTION	DATE
A0	NEW DRAWING	16-4-25

Technical Data

Material:

Pin (outer sleeve): Brass, machined CuZn38Pb2

Plating (outer sleeve):

Tin Plated: 2 μ m/80 μ m"Ni, 5 μ m/200 μ "Sn

Gold Plated: 2 μ m"/80 μ m"Ni, 0.8 μ " gold

Insulator: PPS UL94V-0

Electrical:

Current rating: 3Amps/contact max.

Contact resistance: $\leq 4m\Omega$ /contact

Insulation resistance: $\geq 1000M\Omega$ at V=100V

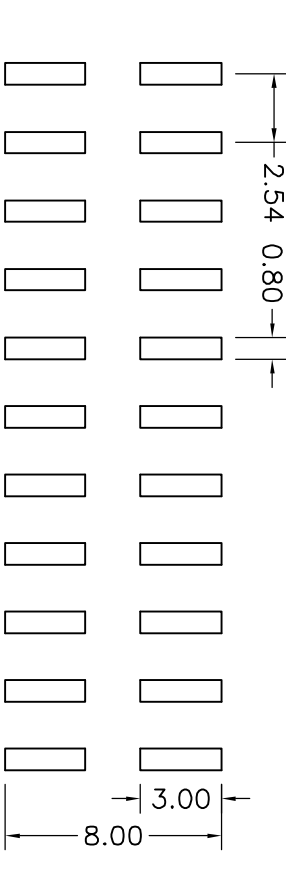
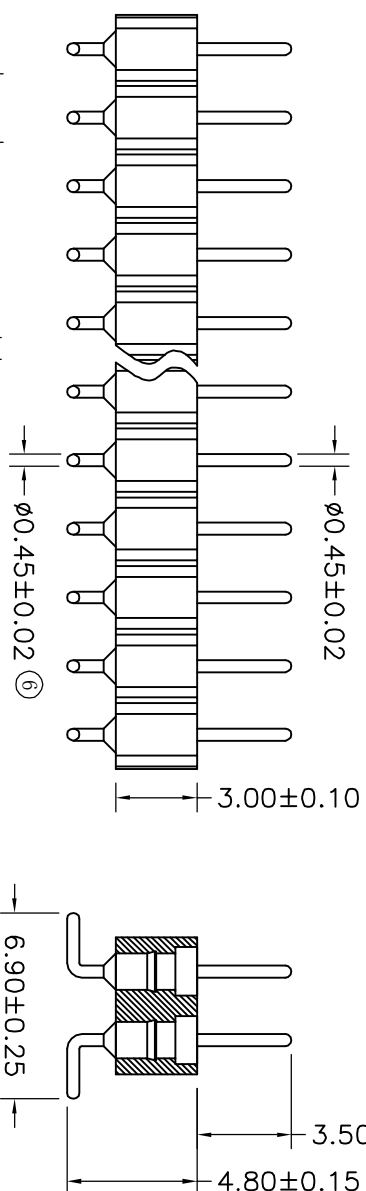
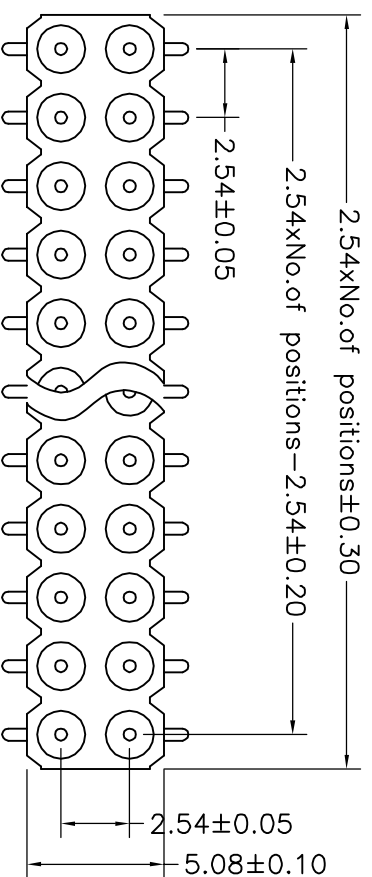
Dielectric Withstanding Voltage: 1000V AV Min

Operating voltage: 60VAC/DC

Mechanical:

Operating temperature: -40 ° C to +105 ° C

Soldering temperature: +255 ° C



P. C. B LAYOUT

QZT	X	X	X	XX	XX	XXXX	X
Pitch (mm) A=1.27 B=1.778 C=2.00 D=2.54	Insulator Type code 1=Single row 2=Double row 3=Three row	Angel Options D=180° R=90° S=SMT I=IC	No. of Positions XX positions	Pin plated T1=Tin 150 μ " T2=Tin 200 μ " G1=G/P G2=Gold 3 μ " G3=Gold 10 μ " G4=Gold 15 μ " G5=Gold 30 μ "	Pin Length Options 1000=1.0, 00mm	Specifications A=Public seat B=Female seat	

TOLERANCE

X, XXX	± 0.05
X, XX	± 0.15
X, X	± 0.20
X,	± 0.30
ANGLE	$\pm 5.0^\circ$

PROJ ECTON



DATE: 2016-4-25

DRAWN: TANG-S-G

CHECKED:

APPROVED:

TITLE:

Double socket connector 2.54mm
L=10.00mm \varnothing 0.45 SMT

PART NO: QZTD2-SXXXX1000A

DRAWING NO: 2016042502

REV: A0 UNIT: mm SCALE: FULL SIZE: A4

uztconn 东莞市启之泰电子科技有限公司
启之泰