

REVISION DATA		
REV	DESCRIPTION	DATE
A0	NEW DRAWING	16-4-12

Technical Data

Material:

CONTACT::phocphor brone

Plating (outer sleeve):

Tin Plated:2μm/80μm²Ni, 5μm/200μ²Sn

Gold Plated:2μm²/80μm²Ni, 0.8μ² gold

Insulator:PPS UL94V-0

Electrical:

Current rating:2Amps/contact max.

Contact resistance:max 20mΩ

Insulation resistance:min 5000MΩ

Dielectric strength:min 600V RMS

Mechanical:

Contact pressure:min 1.5N per contact

Mechanical life:min 50 cycles

Operating temperature:-40° C to+105° C

Soldering temperature:+255° C

NO.OF CONTACTS	A	B	C	D	E
84P	36.00	36.00	25.40	25.40	46.00

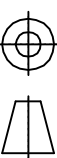
Qztcorn 启之泰 东莞市启之泰电子科技有限公司

TOLERAVCE

X,XXX	±0.05
X,XX	±0.15
X,X	±0.20
X,	±0.30
ANGLE	±5.0°

PROJECTION

DATE:	2016-4-12
DRAWN:	TANG-S-G



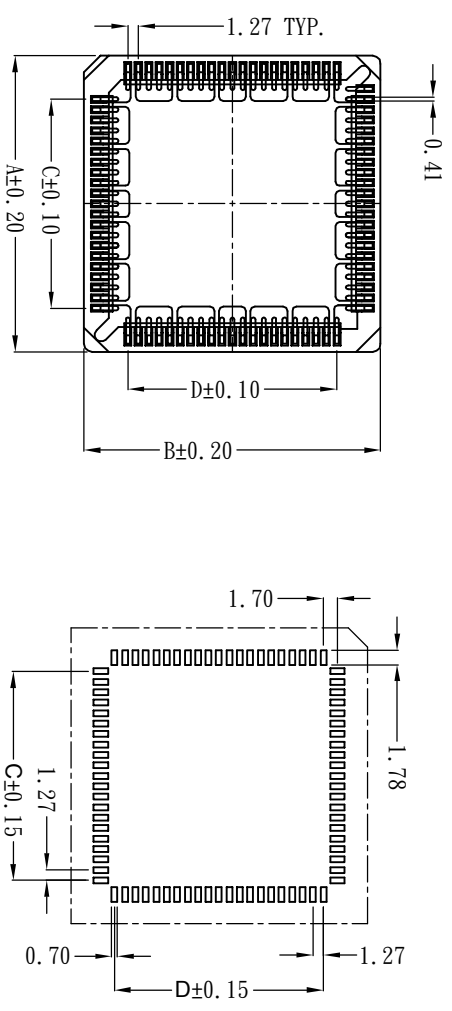
TITLE:
PLCC Connectors 1.27mm

PART NO:QZTA-C184XXX007

DRAWING NO:2016041207

REV	UNIT	SCALE	SIZE	PAGE
A0	mm	1:1	A4	1/2

QZT	X	X	XX	XX	X	XXX
Pitch (mm) A=1.27 B=1.778 C=2.00 D=2.54	Angel Options P=PCA C1=PLCC-SMT C2=PLCC-DIP	No. of Positions XX positions	Pin plated T1=Tin 150u" T2=Tin 200u" G1=G/F G2=Gold 3u" G3=Gold 10u" G4=Gold 15u" G5=Gold 30u"	Insulator color 1=Black 2=Brown	Serial number 001-999	



A B C D E

1 2 3 4 5 6 7